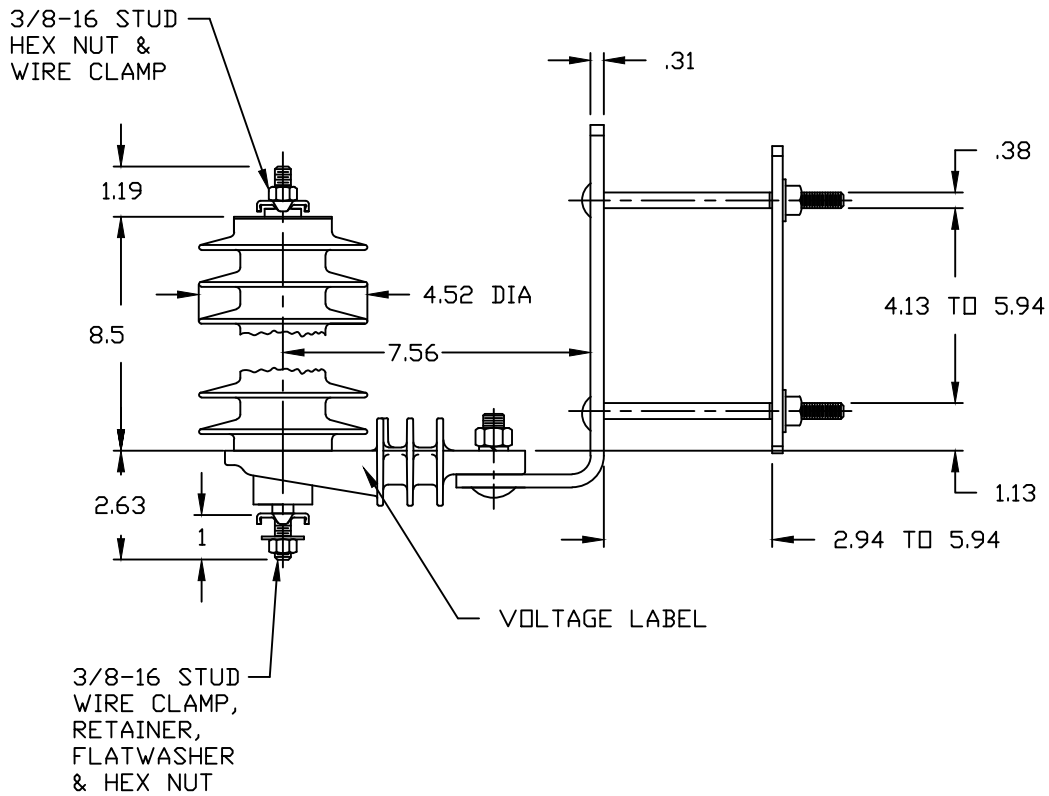



NOTES:

1. DIMENSIONS SUBJECT TO +/- 3% TOLERANCE
2. LEAKAGE DISTANCE (Inches) - 26.0
3. ALTITUDE 0-12000 FT. ABOVE SEA LEVEL
4. WEIGHT OF UNIT INCLUDING HARDWARE - 8.6 LB.
5. MAXIMUM CONTINUOUS LINE-TO-GROUND OPERATING VOLTAGE 15.3 kV MCOV
6. VOLTAGE RATING 18 kV RMS.
7. PVR RISER LABEL ON UNDERSIDE OF INSULATING BASE, OR ARRESTER



MAXIMUM DISCHARGE VOLTAGE (kV)						
FDW	SWITCHING SURGE	8/20 LIGHTNING IMPULSE				
		1.5 kA	3.0 kA	5 kA	10 kA	20 kA
10 kA	500 A	41.5	43.7	45.7	48.9	54.6
54.8	38.7					

RISER POLE SURGE ARRESTER	<p>CONFIDENTIAL: THIS DRAWING AND ITS CONTENTS ARE CONFIDENTIAL AND THE EXCLUSIVE PROPERTY OF HUBBELL POWER SYSTEMS. NO PUBLICATION, DISTRIBUTION OR COPIES MAY BE MADE WITHOUT THE WRITTEN CONSENT OF HUBBELL POWER SYSTEMS. HUBBELL POWER SYSTEMS UNPUBLISHED ALL RIGHTS RESERVED UNDER THE COPYRIGHT LAWS.</p>			<b>HUBBELL® POWER SYSTEMS</b>		
		TITLE <b>PVR ARRESTER 15.3 KV MCOV</b>				
REV DATE	07/31/23	SIZE	DWG NO. S ALES7XXX	CAT / PART / ASSY NO. 221615-7254	REV	34
DO NOT SCALE THIS DRAWING		DRN BY	NON	DATE	06/17/00	SHEET 1 OF 1